

7 OPERATING THE HELMET TORCH

By pressing the red button on the top of the torch, the torch lights up, illuminating with the strongest intensity. When the button is pressed for the 2nd time, the torch illuminates with medium intensity (so that the batteries last longer). When the button is pressed for the 3rd time, the torch illuminates with dimmed intensity (for the longest battery life). With a longer press on the red button the torch shuts off. The torch has a function to blink three times when it turns on if the batteries power fall under 70%. In that case the torch can be operated for eight more hours at medium intensity. During operation, a red LED light constantly flashes on the tail of the torch for a better visibility of the user from the back.

8 SERVICING AND MAINTENANCE

After using the torch, you should perform a detailed inspection of the torch and check that all its components are in place and properly fixed. Replace any damaged parts only with original PAB spare parts. Only original PAB spare parts are permitted for replacement, and only these ensure the expected performance of the torch. If significant damage (broken parts, missing components, cracks on the housing etc.) is identified during a regular check, the torch should be replaced. The torch should not be used if it is evidently damaged, if proper servicing or maintenance has not been performed, or if PAB original spare parts have not been used. Inappropriate use, maintenance, or servicing can affect the function of the torch and can seriously endanger the user's life. The torch operability must be checked and verified before each use.

9 STORAGE AND TRANSPORT

Store the torch in a closed cabinet to prevent extended exposure to cold, heat, humidity, light, fumes... To extend the lifetime of the torch to the maximum clean it after each use and before storing.

10 SERVICE LIFE AND DISCARD

The LED FIRE 05 is very resistant to ageing, with a long service life, but only if provided that it is used, stored, maintained and serviced properly. Exposure to extreme temperatures, strong impacts, corrosive chemicals, flames or aggressive environments have a significant impact on the life of the product. Inspect and clean carefully the torch after each use and replace any damaged parts. To ensure a lifetime as long as possible please follow the instructions, information and recommendations stated in this user manual. When the torch or its parts become obsolete or irreparably damaged, the torch and its parts shall be treated as ordinary non-hazardous industrial waste according to local regulations.

11 WARRANTY

The product warranty period for the LED FIRE 05 produced by PAB Akrapović is two (2) years. PAB Akrapović guarantees that the PAB products delivered will conform to their technical specifications and will be free from defects in materials and workmanship. This warranty does not apply to products that are misused, abused or damaged from installation of accessories not produced by PAB Akrapović, or not used in accordance with the user manual. This warranty does not apply to batteries.

The PAB Akrapović product warranty does not cover and does not make any warranty for any defect, failure, deficiency, or error that is:

- Not reported to the producer in a timely manner
- Due to misapplication or modification
- Due to dirt or exposure to extreme conditions
- Due to use, either intentional or otherwise, in an improper manner.

For more information, please contact PAB Akrapović at info@pab.hr

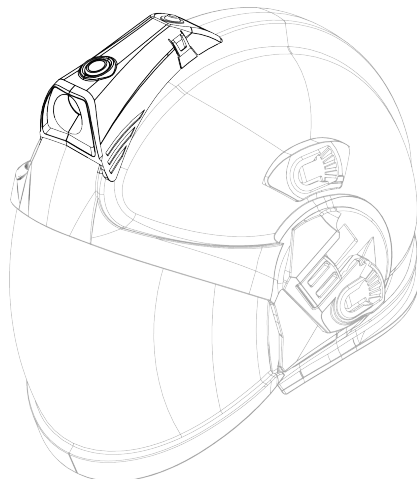


Manufactured by:
PAB Akrapović d.o.o.
Most 26, HR-52420,
Buzet, Croatia Fone +385
52 662 662 info@pab.hr
www.pab.hr



LED FIRE 05

USER MANUAL



OPTIONAL INTEGRATED HEAD TORCH FOR PAB FIRE 05 HELMET

Explosion protection class: Ex II 2G Ex ib IIC T4 Gb Ex II 2D Ex ib IIIC T135°C Db

1 SAFETY NOTICE: READ THESE INSTRUCTIONS CAREFULLY BEFORE USING THE TORCH!

For adequate use, this torch must fit or be adjusted on the helmet. Never open the torch housing in areas subject to explosion hazards

Inappropriate use, maintenance or servicing can affect the function of the torch and can seriously endanger the user's life. The torch's operability must be checked and verified before each use.

The torch shall not be used, if the operability test is unsuccessful, if the torch is damaged, if proper servicing or maintenance has not been made, or if PAB Akrapović original spare parts have not been used.

The length of the useable life of this torch will be affected by the types of materials used in its construction and the environments in which the torch is used and stored.

Replace any damaged parts only with original PAB Akrapović spare parts, as only these are authorised for use and ensure the performance of the torch.

The user's attention is also drawn to the danger of modifying or removing any of the original component parts of the torch, other than as recommended by PAB Akrapović. The torch should not be adapted for fitting attachments in a way not recommended by PAB Akrapović.

2 TECHNICAL DATA

- Explosion protection class: Ex II 2G Ex ib IIC T4 Gb, Ex II 2D Ex ib IIIC T135°C Db
- Light source: 3W LED
- Angle of reflected beam: 13°
- Rated voltage: 4.5 V
- Period of operation: 4 hours at the strongest intensity, 12 hours at medium intensity
- Max. permissible ambient temperature: from -20°C to +54°C
- Protection degree according to EN 60529: IP67
- Weight with batteries: approx. 120 g
- Battery: 3 x LR 03 AAA, according to IEC 60086
- Batteries tested for permissible ambient temperature: DURACELL AAA (LR03) MN2400 / VARTA LONGLIFE AAA (LR03)

3 INSTRUCTION FOR USE AND CARE

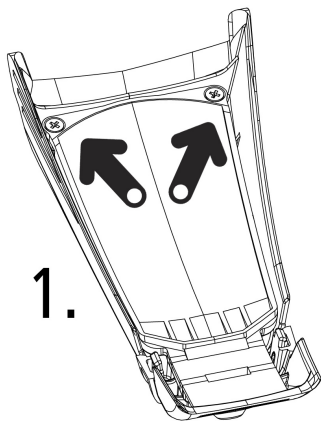
The LED FIRE 05 torch serves as an integrated head torch for the PAB Akrapović fire fighter's helmet PAB FIRE 05.

Never remove the housing cover of torch LED FIRE 05 in areas subject to explosion hazards!

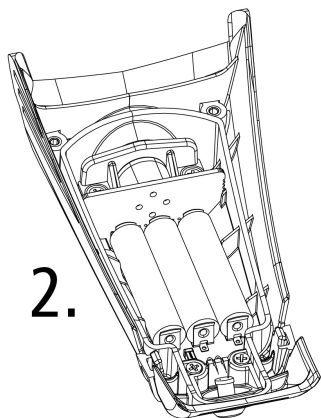
Before use, make sure the helmet torch is working, properly and is undamaged as described in this User's Guide and as required by all applicable regulations.

4 INSERTING / CHANGING THE BATTERIES

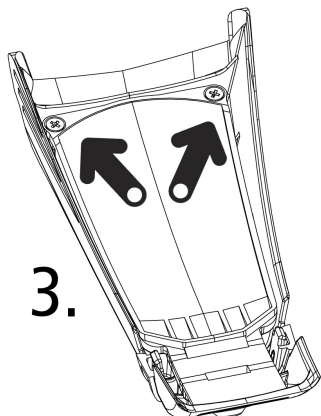
SAFETY WARNING: Do not open the torch housing in a hazardous area! Use only 1,5 V AAA Alkaline batteries (*). Improper battery installation can cause the batteries to explode or leak and cause severe injuries. Do not mix battery types or batteries from different manufacturers.



1. Unscrew the screws that hold in place the housing cover.



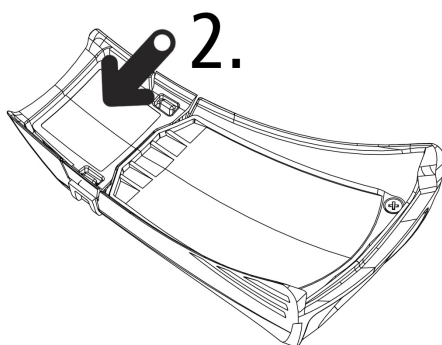
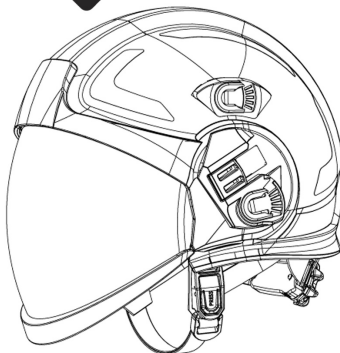
2. Remove the old batteries and/or insert a new set of alkaline batteries. Pay attention to the orientation of the batteries and follow the drawing in the torch.



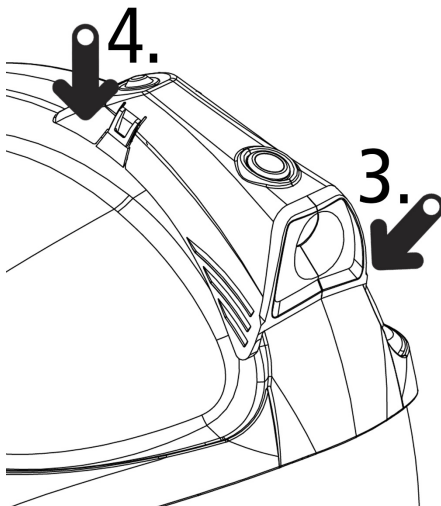
3. Reassemble the torch and tighten the screws on the housing. Check that the housing cover is properly positioned and that the screws are tightened.

5 INSTALLING THE MOUNTING BRACKET ON THE PAB FIRE 05 HELMET

1. ↓



Clean well the helmet surface (1) with 90% ethanol alcohol and then remove the adhesive protective tape from the mounting bracket of the torch (2).

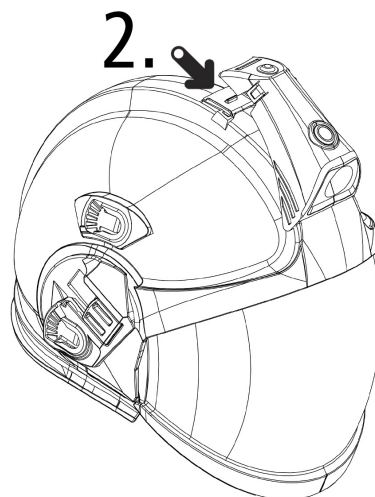
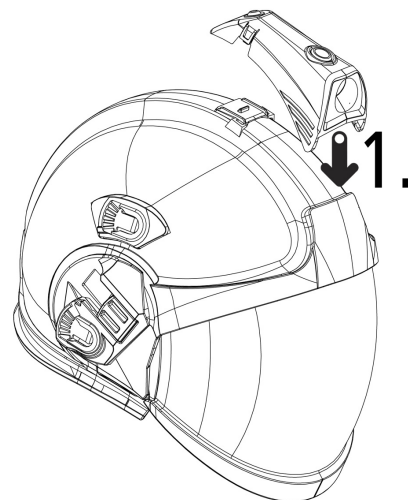


Place first the head of the torch on the frontal part of the helmet ridge so it fits the shape of the frontal plate (3). Then bring down the tail of the torch to the helmet ridge so the adhesive adheres to the surface (4).

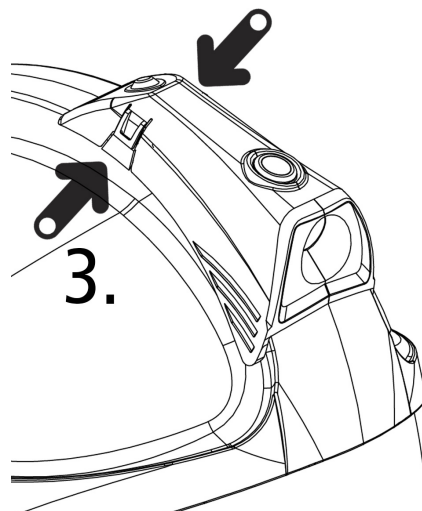
Make sure that you put enough pressure with your hands on the tail of the torch so the mounting bracket sticks well on the helmet surface. Make sure the helmet torch is fixed in place.

IMPORTANT: The gluing process takes 24 hours to complete. For the best adhesion of the torch please do not remove the torch or pull the mounting bracket during these 24 hours. If possible, do not use the helmet during this time.

6 ATTACHING THE TORCH LED FIRE 05 WITH THE MOUNTING BRACKET ALREADY INSTALLED ON THE PAB FIRE 05 HELMET



Attaching the torch: Allow the helmet torch to slot into place at the front first (1) and then at the back to match the mounting bracket on the helmet (2). Press firmly on the mounting bracket and make sure that the torch is fixed in place.



Detaching the torch: Press firmly and simultaneously on the buttons on the tail of the torch (3) and remove the torch.